

DRAWING NUMBER:

ITEM DESCRIPTION:

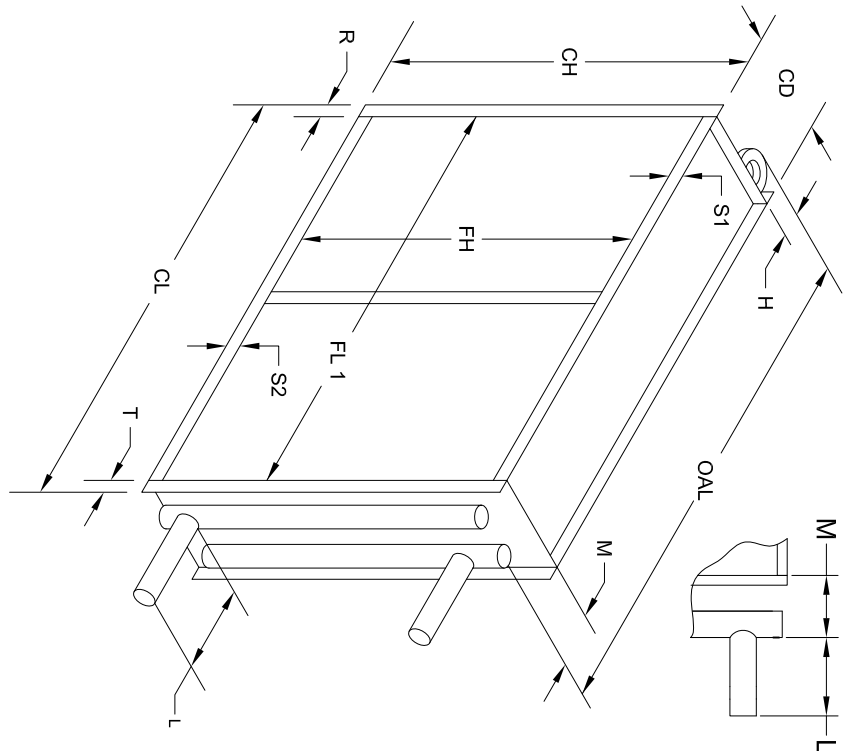
CONDENSER COIL STANDARD

DRAWING:

OF

TECHNICIAN:

DATE:



#	TAG #	QTY:	TYPE:	FH	FL 1	TUBE SIZE:	ROWS:	FPI:	CIRCUITS	HAND:	CONNECTIONS:		LIQUID:	HOT GAS:
											LIQUID:	HOT GAS:		
1											LIQUID:		HOT GAS:	
TECHNICIAN INITIALS:														

DESIGN SPECIFICATIONS:

MATERIAL SPECIFICATIONS:

#	CONNECTION LOCATIONS:			DIMENSIONAL SPECIFICATIONS:													
	A	B	C	FL2	FL3	CH	CL	CD	OAL	L	M	H	R	S1	S2	T	CAP
1																	ALWAYS CENTERED
INT																	FACE
																	VENT ON SUPPLY
																	SIDE
																	LEAVING AIR SIDE

COMPANY:		WORK ORDER #:		DATE:		DRAWING NUMBER:	
DWG #:		MODEL #:		OEM:		RAHN INDUSTRIES	
DWG BY:		APPROVED:		PO #:		APR: DATE:	
PROJECT:		CONTACT:		REV:		REV: APR: DATE:	

This Drawing is Property of Rahn Industries, Inc. Do not duplicate or alter without prior consent of Rahn Industries, Inc. All Dimensions are in inches.

CAD FILE