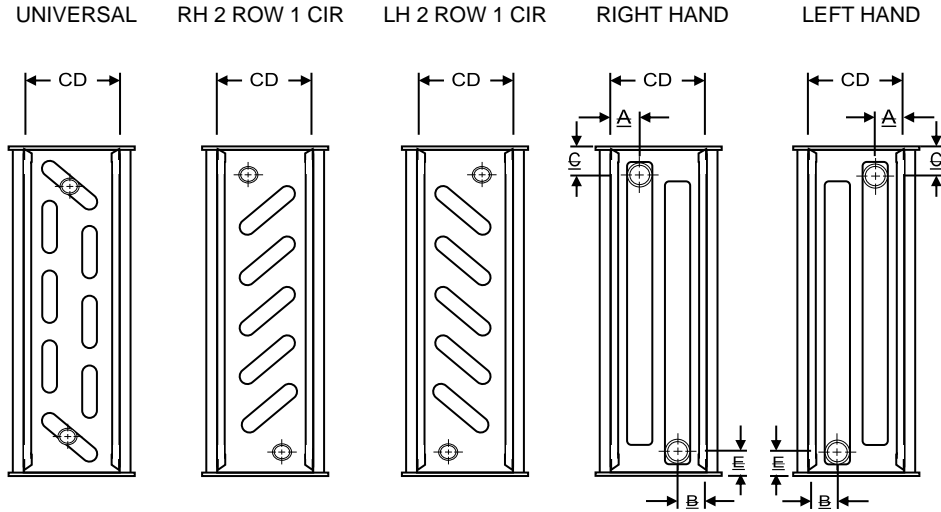
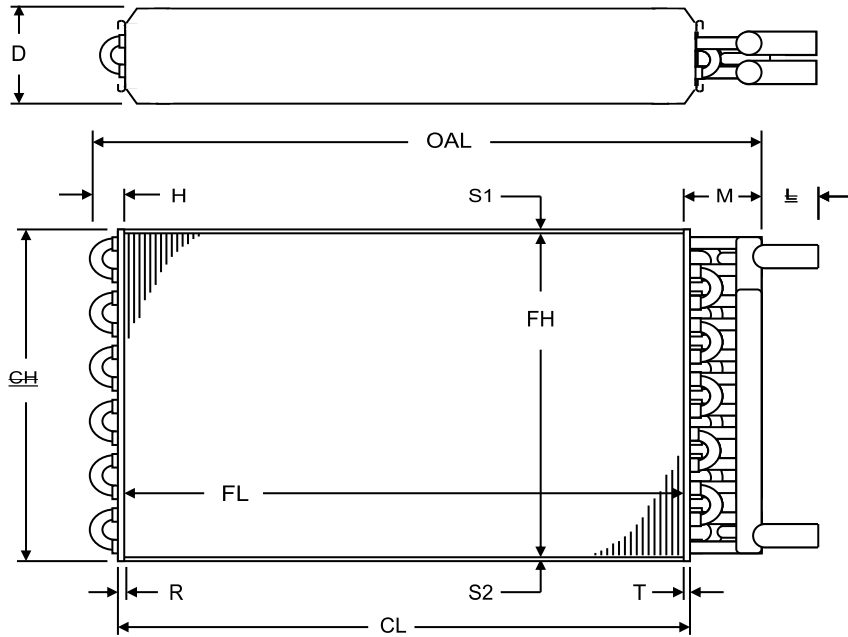


Technician:		Date:		Revision Description	Rev. Date	REV
-------------	--	-------	--	----------------------	-----------	-----



Design Specifications										Material			
Tag No.	Qty	Type	FH	FL	Tube Size	Rows	FPI	Circuits	Hand	Connections	Supply	Return	
										Manifolds	Supply	Return	
										Tube Wall			
										Fins			
										Casing			
In-Process Inspection Verified:													

Dimensional Data														Vents					
Connection Locations							Flanges							Vents					
No.	A	B	C	D	E	F	CH	CL	CD	OAL	L	M	H	R	S1	S2	T	Cap	1/8"
							0.00	0.00		0.00								Face	1/4"
Tech.																		Side	1/2"

Company:		Work Order #:		Date:		Notes:
Dwg #:		Model #:		OEM:		
Dwg By:		Approved By:		PO #:		
Project:		Contact:		Rev:		

This Drawing is Property of Rahn Industries, Inc. Do not duplicate or alter without prior consent of Rahn Industries, Inc. *All Dimensions are in inches.

DRAWING 1 OF 1

All Tolerances are + / - 0.062