

**DRAWING NUMBER:**

**ITEM DESCRIPTION:**

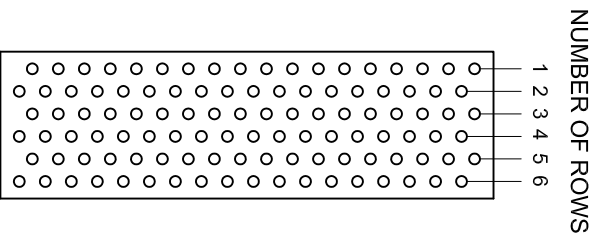
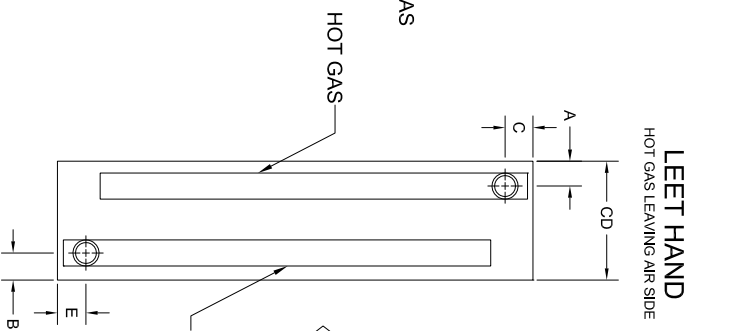
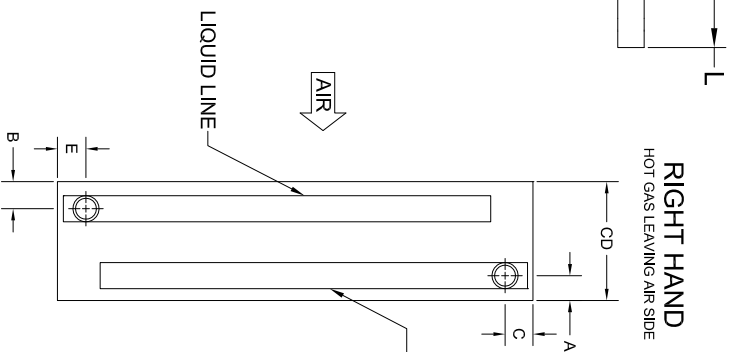
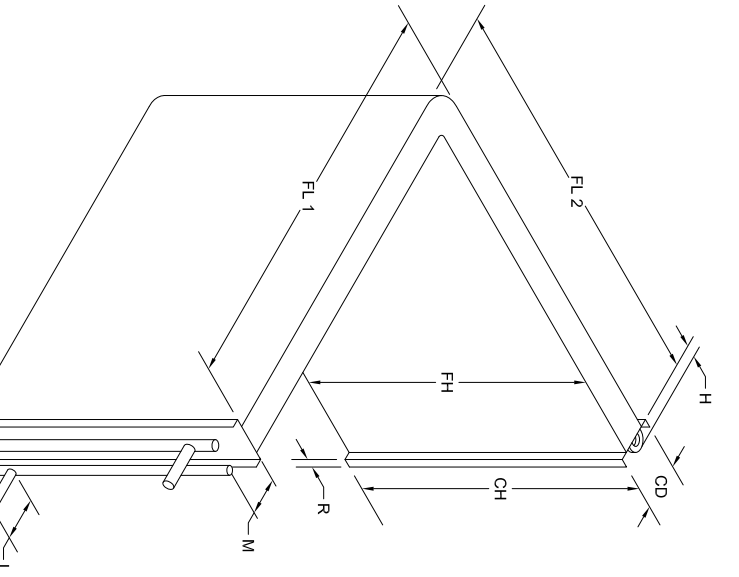
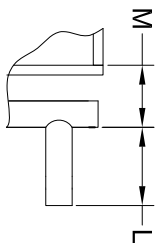
CONDENSER COIL / L-SHAPE

**DRAWING:**

OF

**TECHNICIAN:**

**DATE:**



**DESIGN SPECIFICATIONS:**

#	TAG #	QTY:	TYPE:	FH	FL 1	TUBE SIZE:	ROWS:	FPI:	CIRCUITS	HAND:	CONNECTIONS:	LIQUID:	HOT GAS:
1											LIQUID:		HOT GAS:

MANIFOLDS:  
TUBE WALL:  
FINS:  
CASSING:

**MATERIAL SPECIFICATIONS:**

STANDARD FLANGES:	
STACKING FLANGES:	
CENTER SUPPORTS:	

**DIMENSIONAL SPECIFICATIONS:**

#	CONNECTION LOCATIONS:			DIMENSIONAL SPECIFICATIONS:						VENTS									
	A	B	C	FL2	FL3	CH	CL	CD	OAL	L	M	H	R	S1	S2	T	CAP	FACE	SIDE
1																	0.12Ø	0.25Ø	0.50Ø

VENTS

**COMPANY:** RAHN INDUSTRIES

**WORK ORDER #:** \_\_\_\_\_ **DATE:** \_\_\_\_\_ **DRAWING NUMBER:** \_\_\_\_\_

**MODEL #:** \_\_\_\_\_ **OEM:** \_\_\_\_\_ **APR:** \_\_\_\_\_ **DATE:** \_\_\_\_\_ **REV:** \_\_\_\_\_ **APR:** \_\_\_\_\_ **DATE:** \_\_\_\_\_

**APPROVED:** \_\_\_\_\_ **PO #:** \_\_\_\_\_ **REV:** \_\_\_\_\_ **APR:** \_\_\_\_\_ **DATE:** \_\_\_\_\_

**CONTACT:** \_\_\_\_\_ **REV:** \_\_\_\_\_ **APR:** \_\_\_\_\_ **DATE:** \_\_\_\_\_

This Drawing is Property of Rahn Industries, Inc. Do not duplicate or alter without prior consent of Rahn Industries, Inc. All Dimensions are in inches. **CERTIFIED DRAWING**