

DRAWING NUMBER:

ITEM DESCRIPTION:

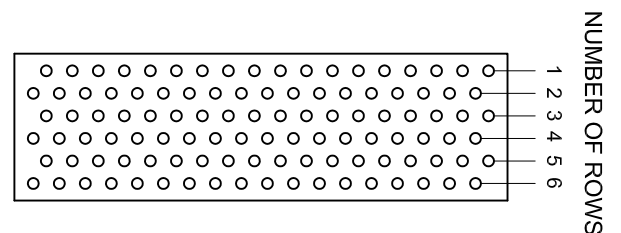
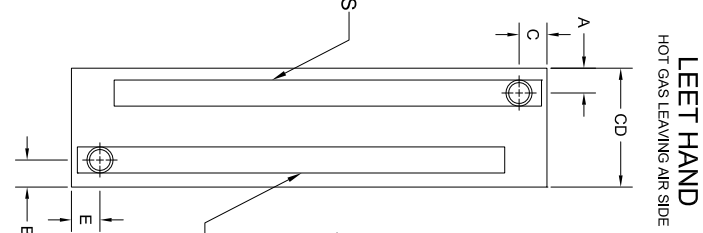
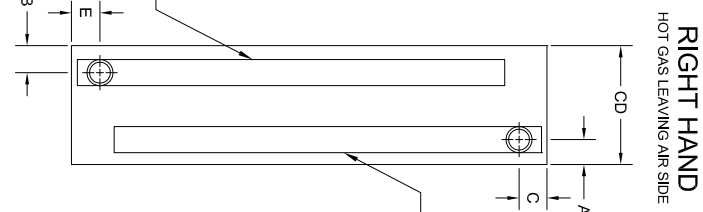
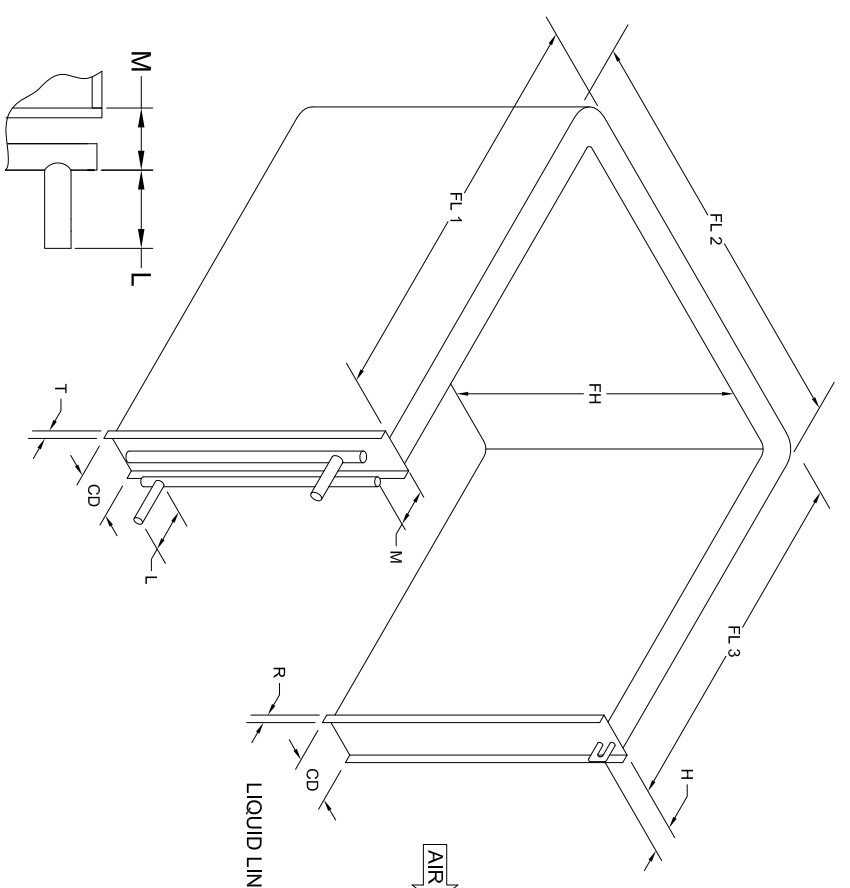
CONDENSER COIL / U-SHAPE

DRAWING:

1 OF 1

TECHNICIAN:

DATE:



DESIGN SPECIFICATIONS:

STANDARD FLANGES:	<input type="checkbox"/>
STACKING FLANGES:	<input type="checkbox"/>
CENTER SUPPORTS:	<input type="checkbox"/>

DESIGN SPECIFICATIONS:

#	TAG #	QTY:	TYPE:	FH	FL1	TUBE SIZE:	ROWS:	FPI:	CIRCUITS	HAND:	CONNECTIONS:	LIQUID:	HOT GAS:
1											LIQUID:		HOT GAS:

TECHNICIAN INITIALS:

MATERIAL SPECIFICATIONS:

MANIFOLDS:	
TUBE WALL:	
FINS:	
CASSING:	

DIMENSIONAL SPECIFICATIONS:

#	A	B	C	E	FL2	FL3	CH	CL	CD	OAL	L	M	H	R	S1	S2	T	CAP
1																		0.12Ø
																		0.25Ø
																		0.50Ø

VENTS

FACE	ALWAYS CENTERED
VENT ON SUPPLY	
SIDE	LEAVING AIR SIDE

COMPANY:

DWG #:

DWG BY:

PROJECT:

WORK ORDER #:

MODEL #:

APPROVED:

CONTACT:

DATE:

OEM:

PO #:

REV:

RAHN INDUSTRIES

APR:

DATE:

REV:

APR:

DATE:

DRAWING NUMBER:

CERTIFIED DRAWING