

**DRAWING NUMBER:**

**ITEM DESCRIPTION:**

**DRAWING:**

**TECHNICIAN:**

**DATE:**

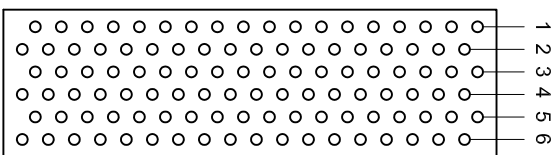
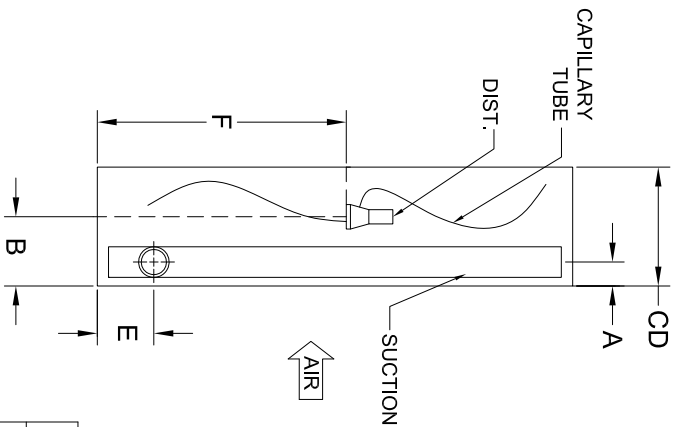
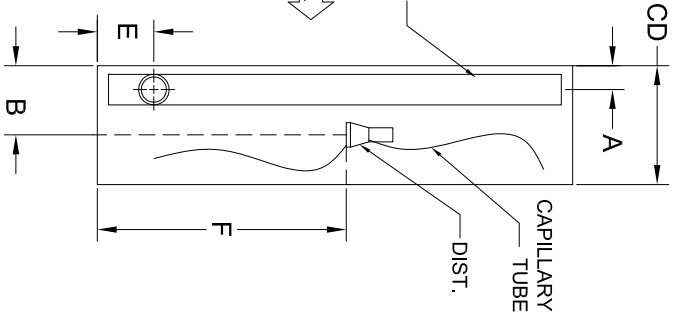
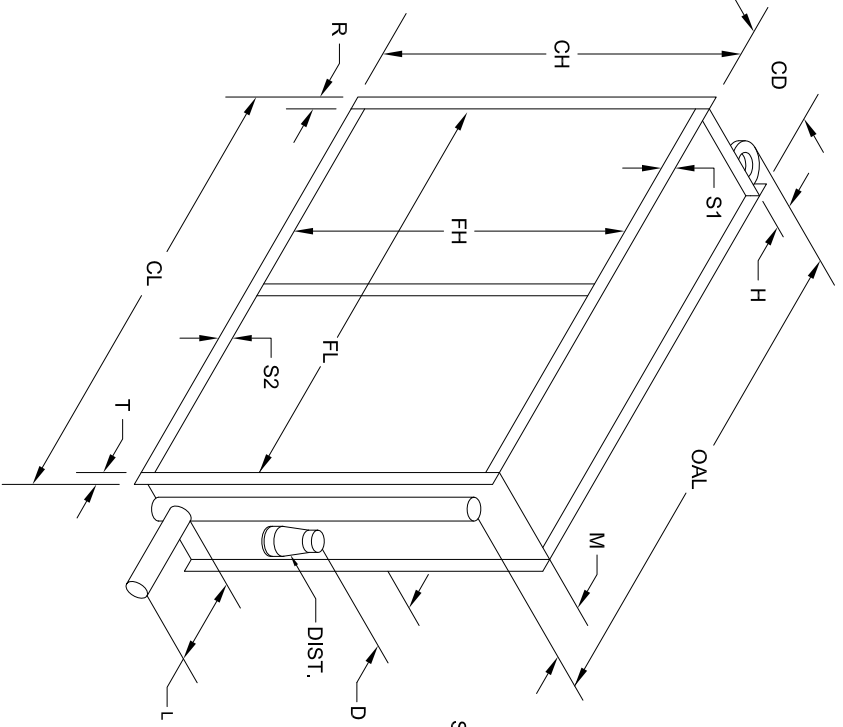
DX COIL Single In-Line Distributor

1 OF 1

**RIGHT HAND**  
SUPPLY LEAVING AIR SIDE

**LEFT HAND**  
SUPPLY LEAVING AIR SIDE

**NUMBER OF ROWS**



STANDARD FLANGES:	<input type="checkbox"/>
STACKING FLANGES:	<input type="checkbox"/>
CENTER SUPPORTS:	<input type="checkbox"/>

**DESIGN SPECIFICATIONS:**

**MATERIAL SPECIFICATIONS:**

#	TAG #	QTY:	TYPE:	FH	FL	TUBE SIZE:	ROWS:	FPI:	CIRCUITS	HAND:	CONNECTIONS:	SUPPLY:	RETURN:
1													

TECHNICIAN INITIALS: \_\_\_\_\_

**DIMENSIONAL SPECIFICATIONS:**

**TXV / DIST.**

#	CONNECTION LOCATIONS:						DIMENSIONAL SPECIFICATIONS:											
	A	B	C	D	E	F	CH	CL	CD	OAL	L	M	H	R	S1	S2	T	
1																		
INT																		

**COMPANY:** \_\_\_\_\_ **WORK ORDER #:** \_\_\_\_\_ **DATE:** \_\_\_\_\_ **DRAWING NUMBER:** \_\_\_\_\_

**DWG #:** \_\_\_\_\_ **MODEL #:** \_\_\_\_\_ **APPROVED:** \_\_\_\_\_ **PO #:** \_\_\_\_\_ **APR:** \_\_\_\_\_ **DATE:** \_\_\_\_\_ **REV:** \_\_\_\_\_ **APR:** \_\_\_\_\_ **DATE:** \_\_\_\_\_

**PROJECT:** \_\_\_\_\_ **CONTACT:** \_\_\_\_\_ **REV:** \_\_\_\_\_

This Drawing is Property of Rahm Industries, Inc. Do not duplicate or alter without prior consent of Rahm Industries, Inc. All Dimensions are in inches.