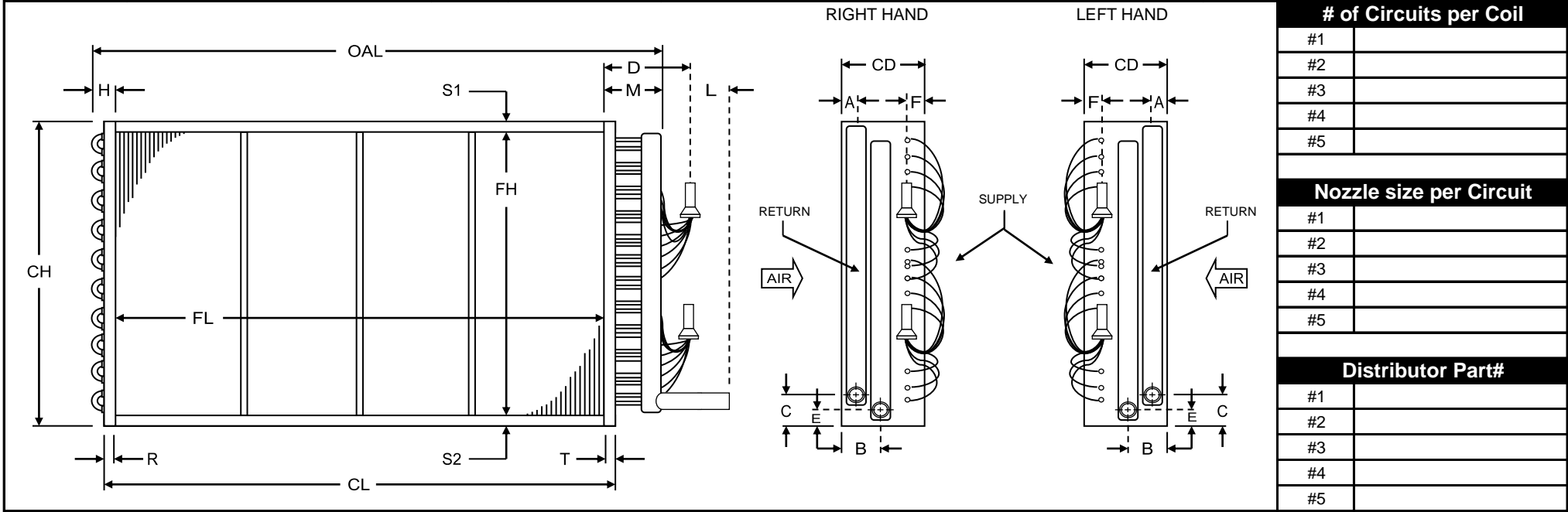


Technician:		Date:		Revision Description				Rev. Date	REV
-------------	--	-------	--	----------------------	--	--	--	-----------	-----



# of Circuits per Coil	
#1	
#2	
#3	
#4	
#5	

Nozzle size per Circuit	
#1	
#2	
#3	
#4	
#5	

Distributor Part#	
#1	
#2	
#3	
#4	
#5	

Design Specifications											Material		
#	Tag #	Qty	Type	FH	FL	Tube Size	Rows	FPI	Casing	Hand	Supply	Return	
1											Connections		
											Manifolds		
											Fins		
											Tube Wall		
Technician Initials:													

Dimensional Data														TXV / Dist.					
Connection Locations														Flanges					
#	A	B	C	D	E	F	CH	CL	CD	OAL	L	M	H	R	S1	S2	T	Cap Tube Size	
1							0.00	0.00		0.00									
Tech.																			

Company:		Work Order #:		Date:		Circuits:	
Dwg #:		Model #:		OEM:		Notes:	
Dwg By:		Approved By:		PO #:			
Project:		Contact:		Rev:			
This Drawing is Property of Rahn Industries, Inc. Do not duplicate or alter without prior consent of Rahn Industries, Inc. *All Dimensions are in inches.				DRAWING	1	OF	1
DX Coil Interlaced In-line Distributor							