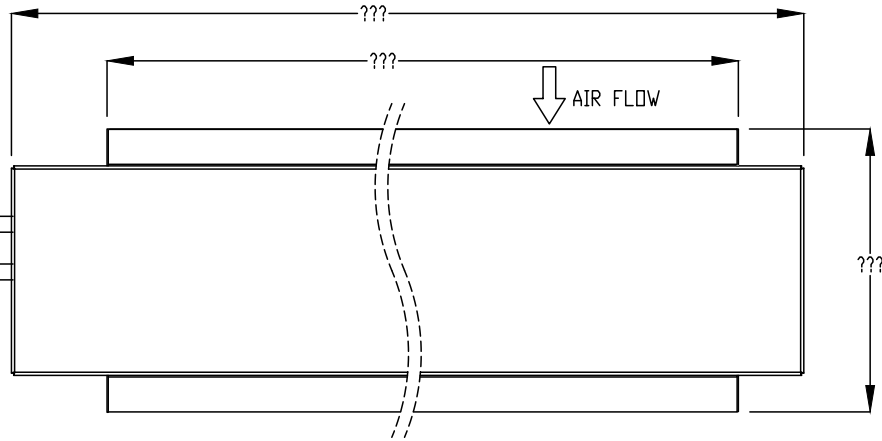


****PRELIMINARY DRAWING****

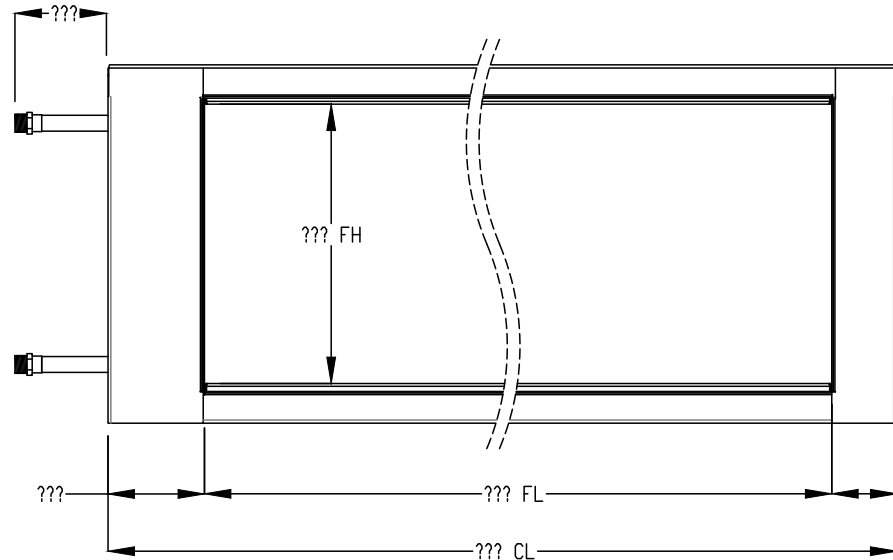
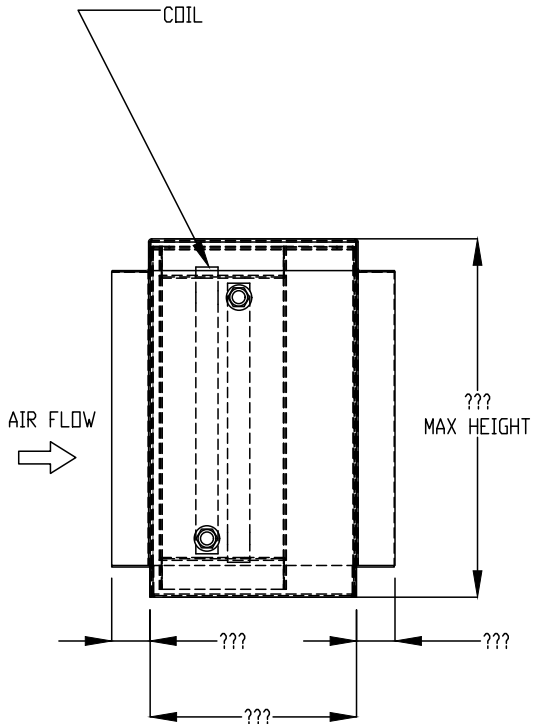
AIR FLOW DIRECTION
CAN BE REVERSED

SUPPLY
Ø???” MANIFOLD
Ø???” CU MPT
CONNECTION

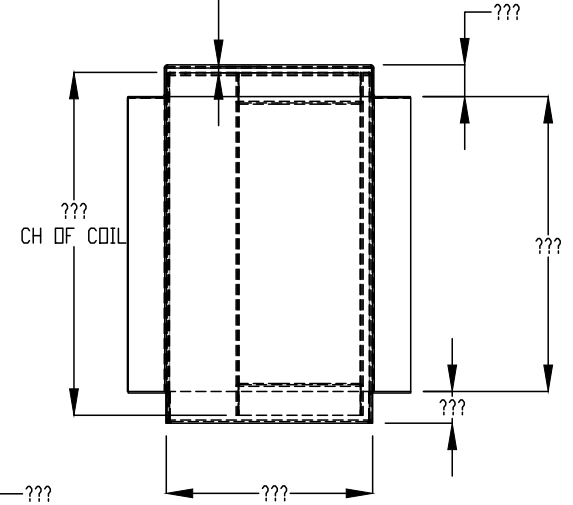
RETURN
Ø???” MANIFOLD
Ø???” CU MPT
CONNECTION



****INSULATED CASED COIL****



3/8" THICK AEROCEL RUBBER INSULATION
ALL AROUND TYP.



REV.	ECN	DATE	DESCRIPTION	BY	APR	NAME	DATE	MATERIAL	TITLE: CASED COIL TEMPLATE
									SIZE: A
									DWG. NO.
									REV: N/C
									SCALE: 1:16
									SHEET 1 OF 1

RAHN INDUSTRIES
2630 PACIFIC PARK DRIVE
WHITTIER, CA 90601
PROPRIETARY AND CONFIDENTIAL
THE INFORMATION CONTAINED IN THIS DRAWING IS THE
SOLE PROPERTY OF RAHN INDUSTRIES. ANY REPRODUCTION
IN PART OR AS A WHOLE WITHOUT THE WRITTEN PERMISSION
OF RAHN INDUSTRIES IS PROHIBITED.

UNLESS OTHERWISE SPECIFIED:
DIMENSIONS ARE IN INCHES
TOLERANCES:
FRACTIONAL ±0.0625
ANGULAR: MACH / BEND ±3°
.XX ±0.0625
.XXX ±0.0625