

DRAWING NUMBER:

ITEM DESCRIPTION:

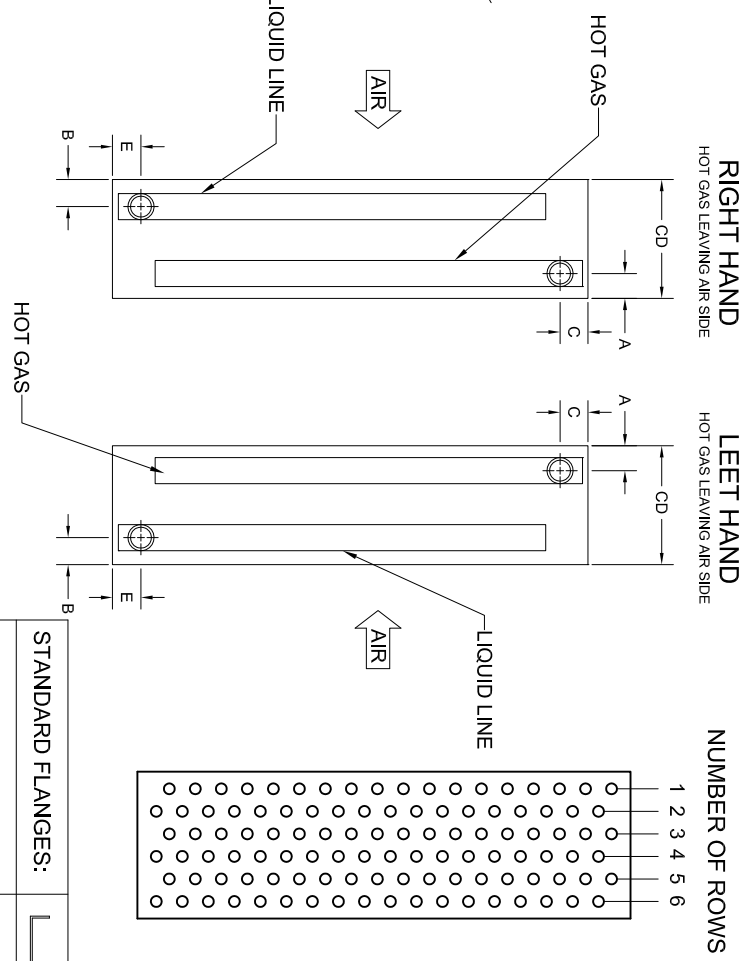
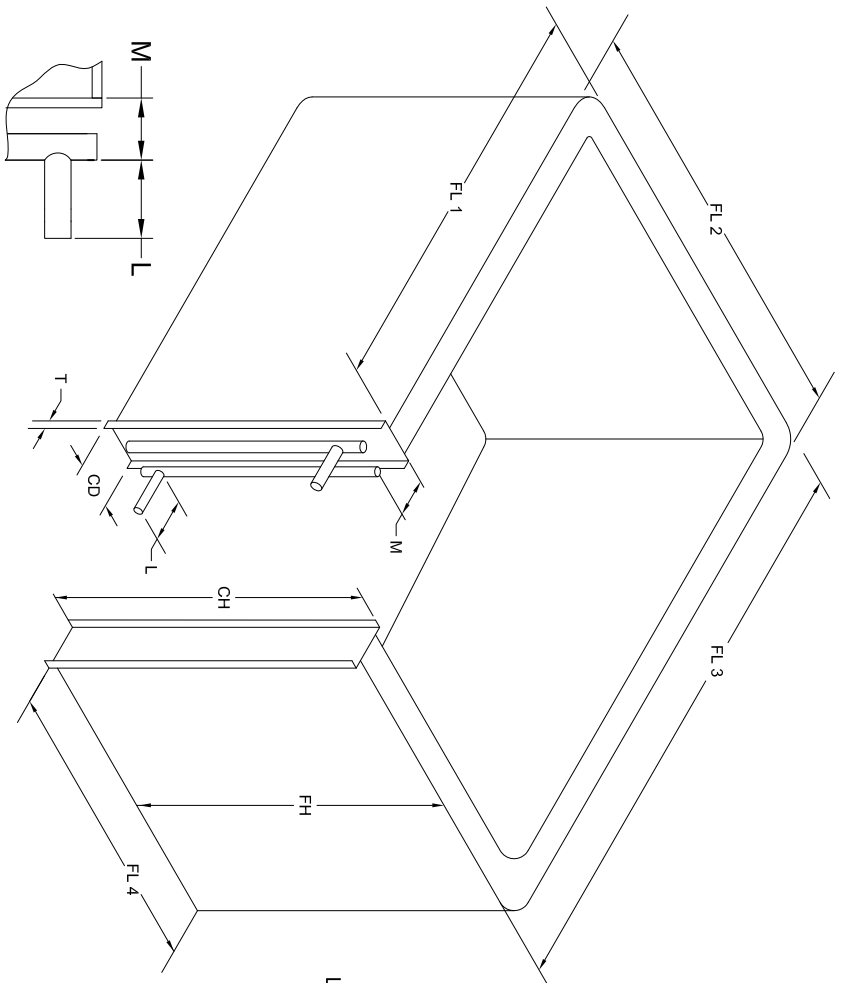
CONDENSER COIL / U-SHAPE

DRAWING:

1 OF 1

TECHNICIAN:

DATE:



- STANDARD FLANGES:
- STACKING FLANGES:
- CENTER SUPPORTS:

DESIGN SPECIFICATIONS:

#	TAG #	QTY:	TYPE:	FH	FL1	TUBE SIZE:	ROWS:	FPI:	CIRCUITS	HAND:	CONNECTIONS:	LIQUID:	HOT GAS:
1											LIQUID:		HOT GAS:

MANIFOLDS:
TUBE WALL:
FINS:
CASING:

MATERIAL SPECIFICATIONS:

DIMENSIONAL SPECIFICATIONS:

#	CONNECTION LOCATIONS:				DIMENSIONAL SPECIFICATIONS:				VENTS											
	A	B	C	E	R	T	CH	CL	CD	OAL	L	M	H	F1	F2	F3	F4	CAP	FACE	SIDE
1																		0.12Ø	0.25Ø	0.50Ø
INT																				

COMPANY: _____ **WORK ORDER #:** _____

DWG #: _____ **MODEL #:** _____

DWG BY: _____ **APPROVED:** _____

PROJECT: _____ **CONTACT:** _____

DATE: _____ **OEM:** _____

PO #: _____ **REV:** _____



DRAWING NUMBER:

This Drawing is Property of Rahn Industries, Inc. Do not duplicate or alter without prior consent of Rahn Industries, Inc. All Dimensions are in inches.