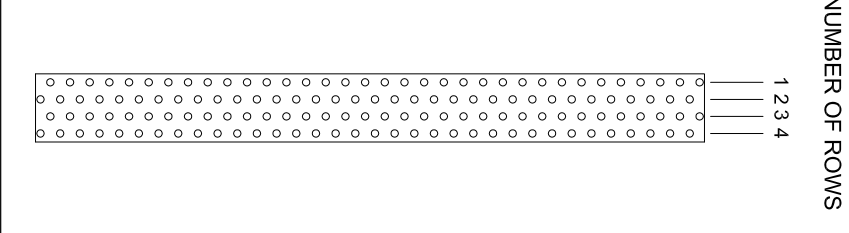
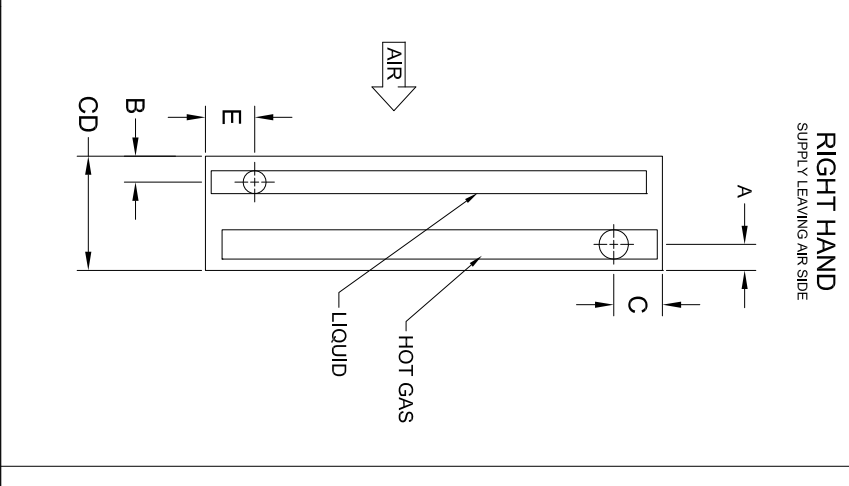
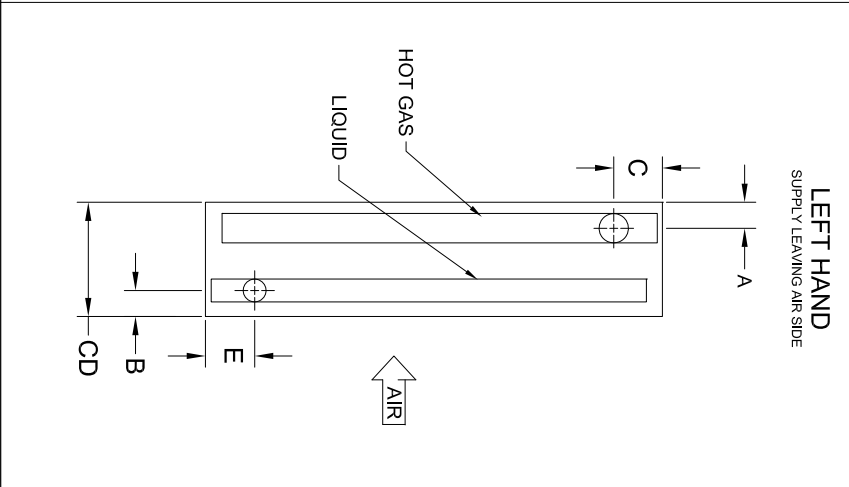
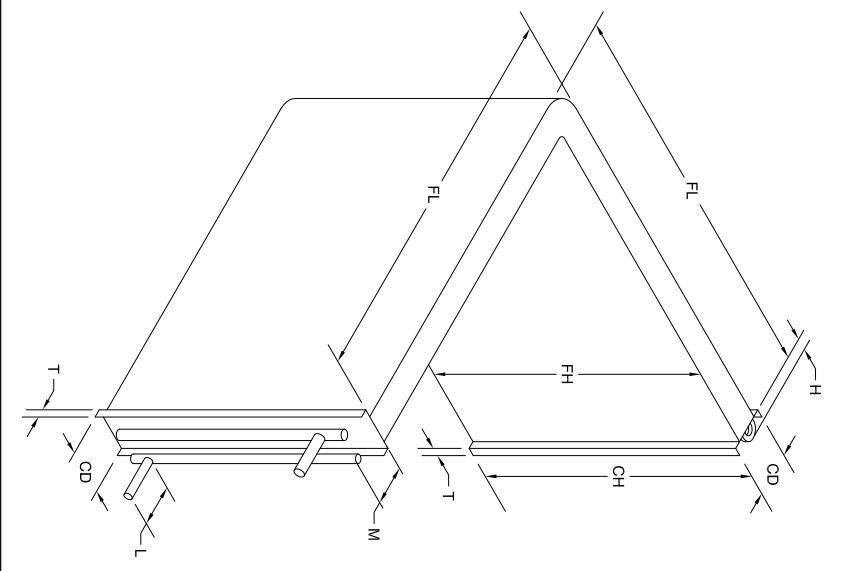


**DRAWING NUMBER:** \_\_\_\_\_ **ITEM DESCRIPTION:** CONDENSER COIL / L-SHAPE **DRAWING:** 1 OF 1 **TECHNICIAN:** \_\_\_\_\_ **DATE:** \_\_\_\_\_



**DESIGN SPECIFICATIONS:**

#	TAG #	QTY:	TYPE:	FH	FL	TUBE SIZE:	ROWS:	FPI:	CIRCUITS	HAND:	CONNECTIONS:	LIQUID:	HOT GAS:
1											MANIFOLDS:		HOT GAS:
											TUBE WALL:		HOT GAS:
											FINS:		
											CASSING:		

**MATERIAL SPECIFICATIONS:**

**DIMENSIONAL SPECIFICATIONS:**

CONNECTION LOCATIONS:						VENTS												
#	A	B	C	D	E	F	CH	CL	CD	OAL	L	M	H	R	S1	S2	T	
1																		ALWAYS CENTERED
																		FACE
																		VENT ON SUPPLY
																		SIDE
																		LEAVING AIR SIDE

**COMPANY:** \_\_\_\_\_ **WORK ORDER #:** \_\_\_\_\_ **DATE:** \_\_\_\_\_ **DRAWING NUMBER:** \_\_\_\_\_

**DWG #:** \_\_\_\_\_ **MODEL #:** \_\_\_\_\_ **OEM:** \_\_\_\_\_

**DWG BY:** \_\_\_\_\_ **APPROVED:** \_\_\_\_\_ **PO #:** \_\_\_\_\_ **APR:** \_\_\_\_\_ **DATE:** \_\_\_\_\_ **REV:** \_\_\_\_\_ **APR:** \_\_\_\_\_ **DATE:** \_\_\_\_\_

**PROJECT:** \_\_\_\_\_ **CONTACT:** \_\_\_\_\_ **REV:** \_\_\_\_\_

This Drawing is Property of Rahn Industries, Inc. Do not duplicate or alter without prior consent of Rahn Industries, Inc. All Dimensions are in inches.

0-SIZE LAYOUT L1/COIL DRAWING/RAHN INDUSTRIES, INC.