

**DRAWING NUMBER:**

**ITEM DESCRIPTION:**

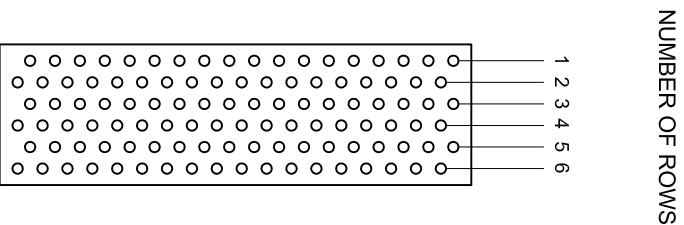
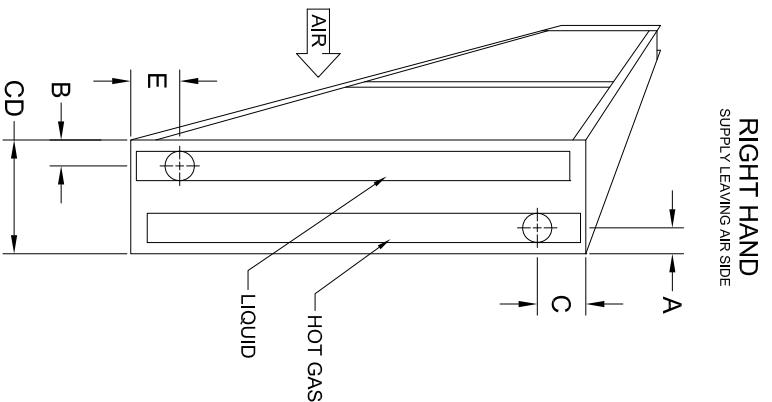
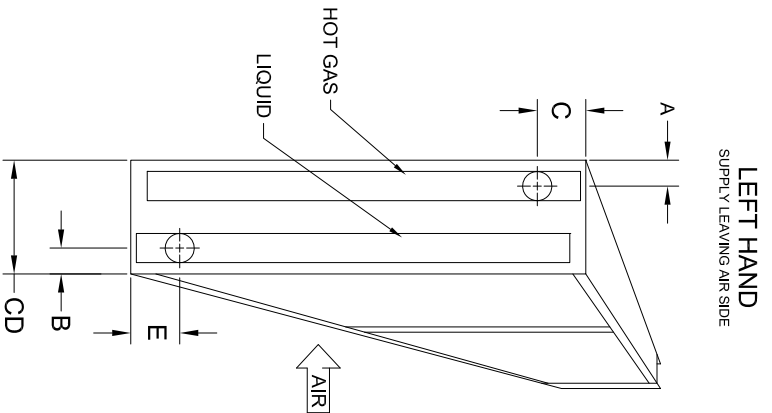
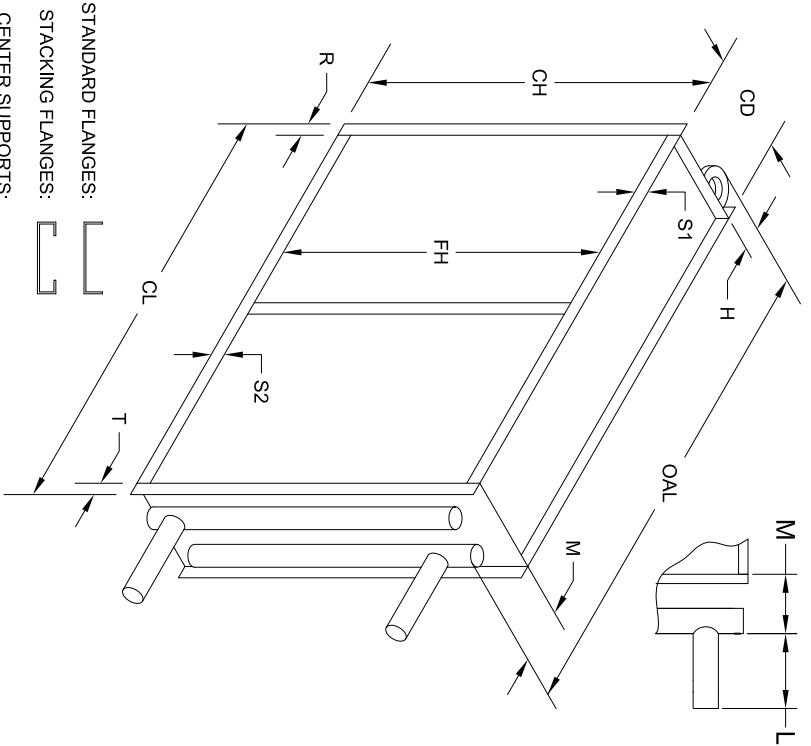
CONDENSER COIL STANDARD

**DRAWING:**

1 OF 1

TECHNICIAN:

DATE:



**DESIGN SPECIFICATIONS:**

#	TAG #	QTY:	TYPE:	FH	FL	TUBE SIZE:	ROWS:	FPI:	CIRCUITS	HAND:	CONNECTIONS:	LIQUID:	HOT GAS:
1											MANIFOLDS:		HOT GAS:
											TUBE WALL:		HOT GAS:
											FINNINGS:		
											CASSING:		

**MATERIAL SPECIFICATIONS:**

**DIMENSIONAL SPECIFICATIONS:**

#	A	B	C	D	E	F	CH	CL	CD	OAL	L	M	H	R	S1	S2	T
1																	
INT																	

**VENTS**

CAP	0.120
FACE	0.250
SIDE	0.500

**CONNECTION LOCATIONS:**

**WORK ORDER #:**

DWG #:

MODEL #:

DWG BY:

APPROVED:

PROJECT:

CONTACT:



**DRAWING NUMBER:**

APR: DATE:

REV: DATE:

This Drawing is Property of Rahn Industries, Inc. Do not duplicate or alter without prior consent of Rahn Industries, Inc. All Dimensions are in inches.

0-SIZE LAYOUT L://COIL DRAWING/RAHN INDUSTRIES, INC.