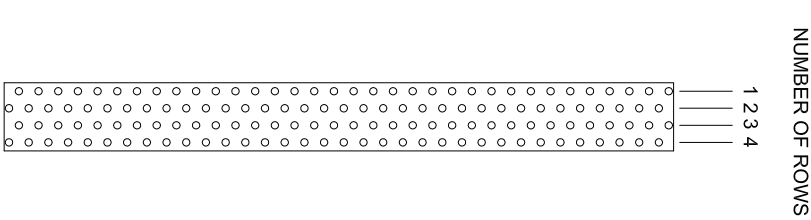
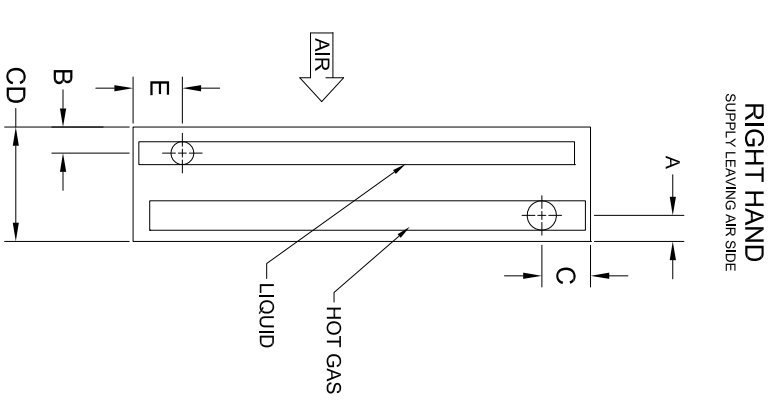
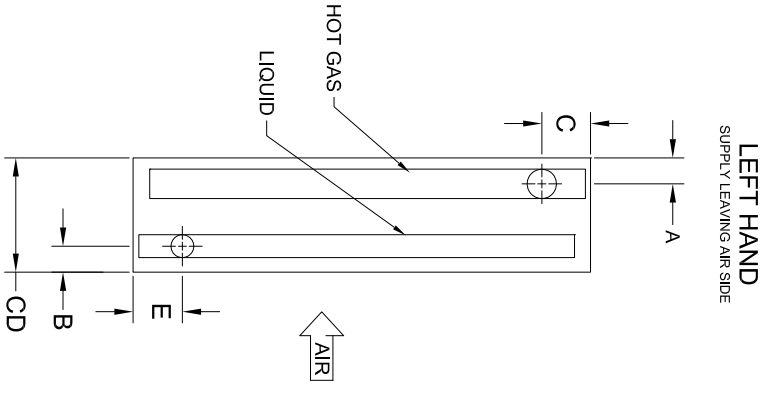
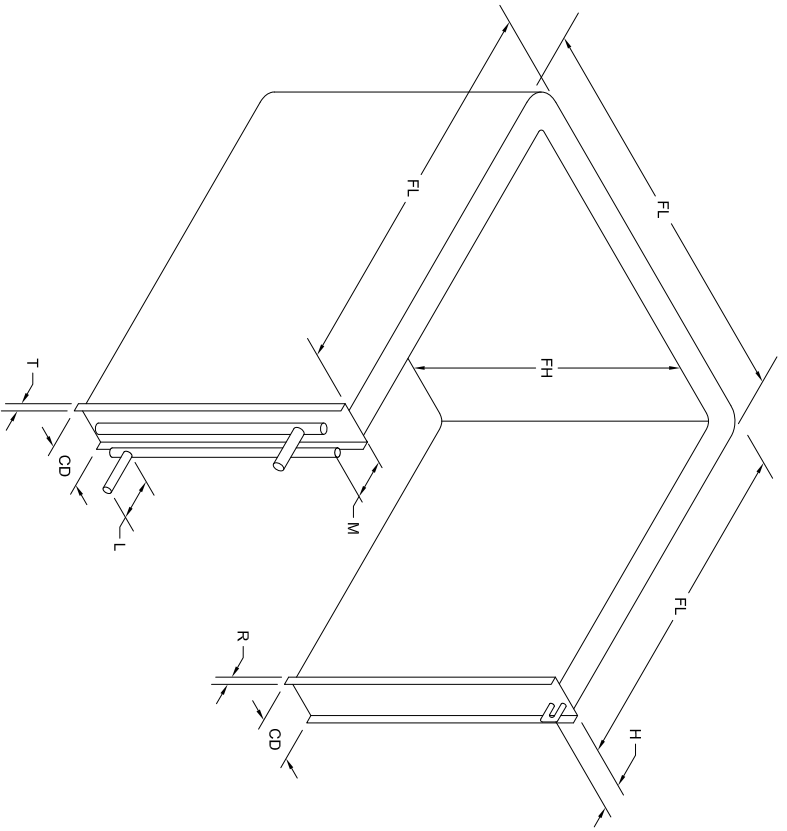


DRAWING NUMBER: CONDENSER COIL / U-SHAPE **ITEM DESCRIPTION:** 1 OF 1 **DRAWING:** 1 **TECHNICIAN:** **DATE:**



DESIGN SPECIFICATIONS:

#	TAG #	QTY:	TYPE:	FH	FL	TUBE SIZE:	ROWS:	FPI:	CIRCUITS	HAND:	CONNECTIONS:	LIQUID:	HOT GAS:
1											MANIFOLDS:	LIQUID:	HOT GAS:
TECHNICIAN INITIALS:											TUBE WALL:	HOT GAS:	
											FINS:		
											CASSING:		

MATERIAL SPECIFICATIONS:

DIMENSIONAL SPECIFICATIONS:

#	CONNECTION LOCATIONS:						VENTS											
	A	B	C	D	E	F	CH	CL	CD	OAL	L	M	H	R	S1	S2	T	
1																		CAP ALWAYS CENTERED
																		FACE VENT ON SUPPLY
																		SIDE LEAVING AIR SIDE

COMPANY: **WORK ORDER #:** **DATE:**

DWG #: **MODEL #:** **OEM:**

DWG BY: **APPROVED:** **PO #:** **REV:**

PROJECT: **CONTACT:** **REV:**

This Drawing is Property of Rahn Industries, Inc. Do not duplicate or alter without prior consent of Rahn Industries, Inc. *All Dimensions are in inches.

RAHN INDUSTRIES **DRAWING NUMBER:**

APR: DATE: REV: APR: DATE:

CERTIFIED DRAWING