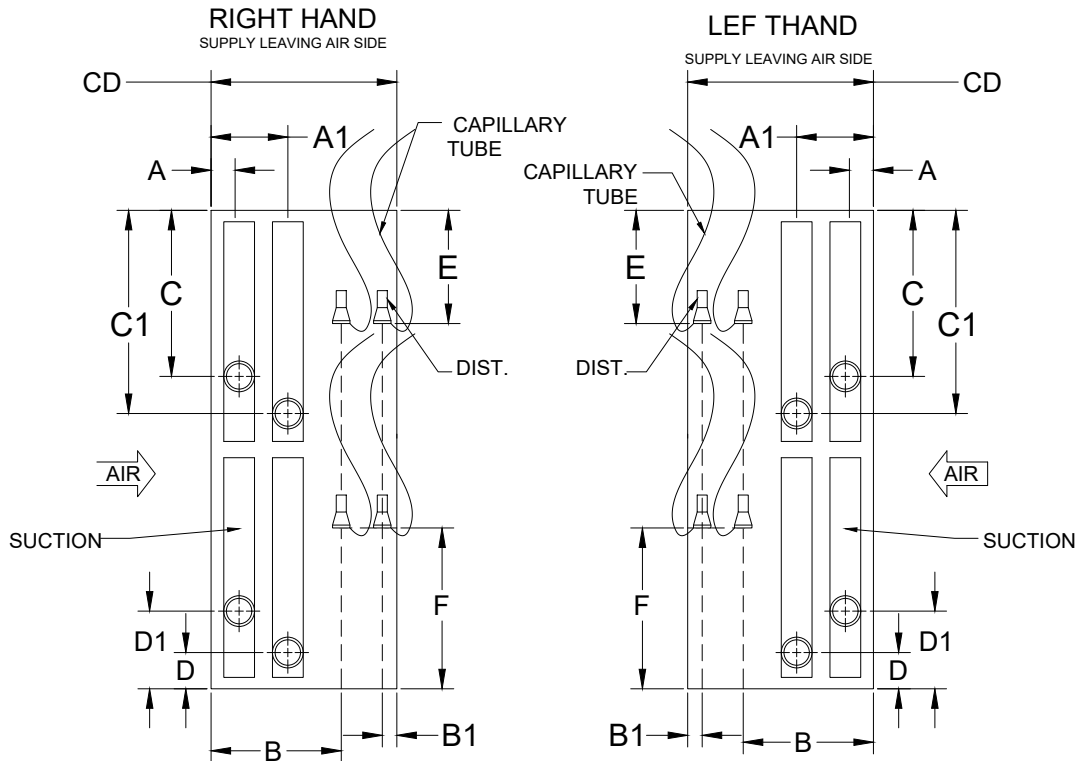
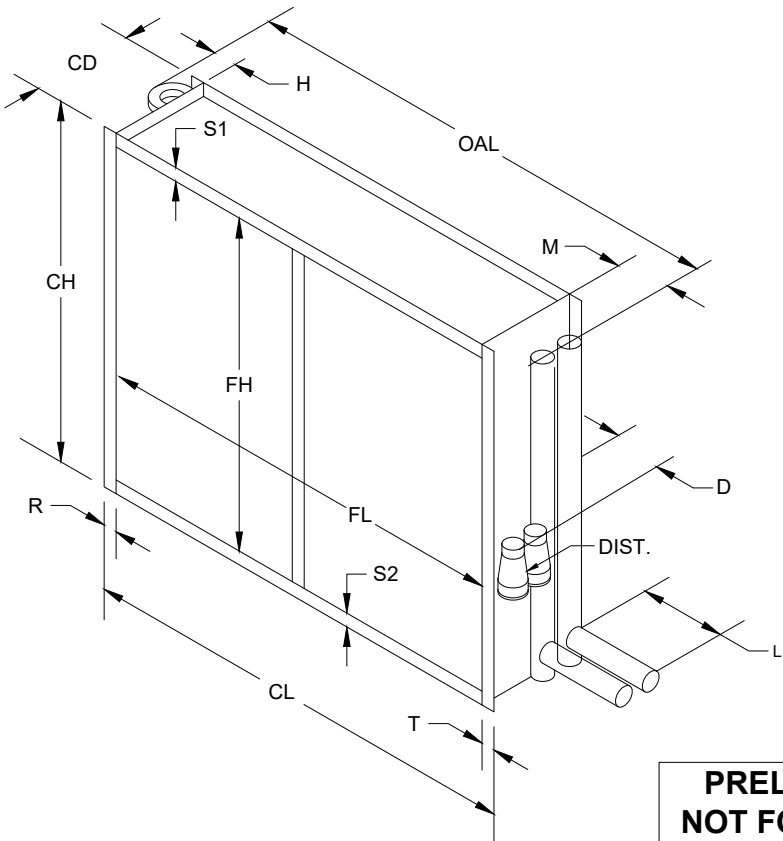


DRAWING TEMPLATE_STANDARD/MFG-1

DRAWING NUMBER:	ITEM DESCRIPTION:	DRAWING:	TECHNICIAN:	DATE:	
	DX COIL SPLIT FACE INTERLACED 4SYS.	1 OF 1			



**PRELIMINARY ONLY
NOT FOR PRODUCTION**

STACKING FLANGES:	
CENTER SUPPORTS:	

DESIGN SPECIFICATIONS:										MATERIAL SPECIFICATIONS:			
#	TAG #	QTY:	TYPE:	FH	FL	TUBE SIZE:	ROWS:	FPI:	CIRCUITS	HAND:	CONNECTIONS:	SUPPLY:	RETURN:
1											MANIFOLDS:	SUPPLY:	RETURN:
TECHNICIAN INITIALS:											TUBE WALL:		
											FINS:		
											CASING:		

DIMENSIONAL SPECIFICATIONS:																TXV / DIST.							
CONNECTION LOCATIONS:																FLANGES:				DIST. 1 PART #:			
#	A	A1	B	B1	C	C1	D	D1	E	F	CH	CL	CD	OAL	L	M	H	R	S1	S2	T		
1																							
INT																							

COMPANY:	WORK ORDER #:	DATE:		DRAWING NUMBER:
DWG #:	MODEL #:	OEM:		
DWG BY:	APPROVED:	PO #:	APR: DATE:	REV: APR: DATE:
PROJECT:	CONTACT:	REV:		