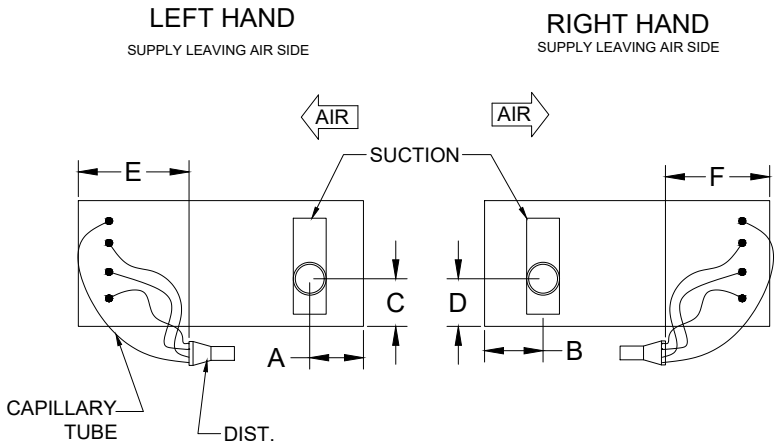
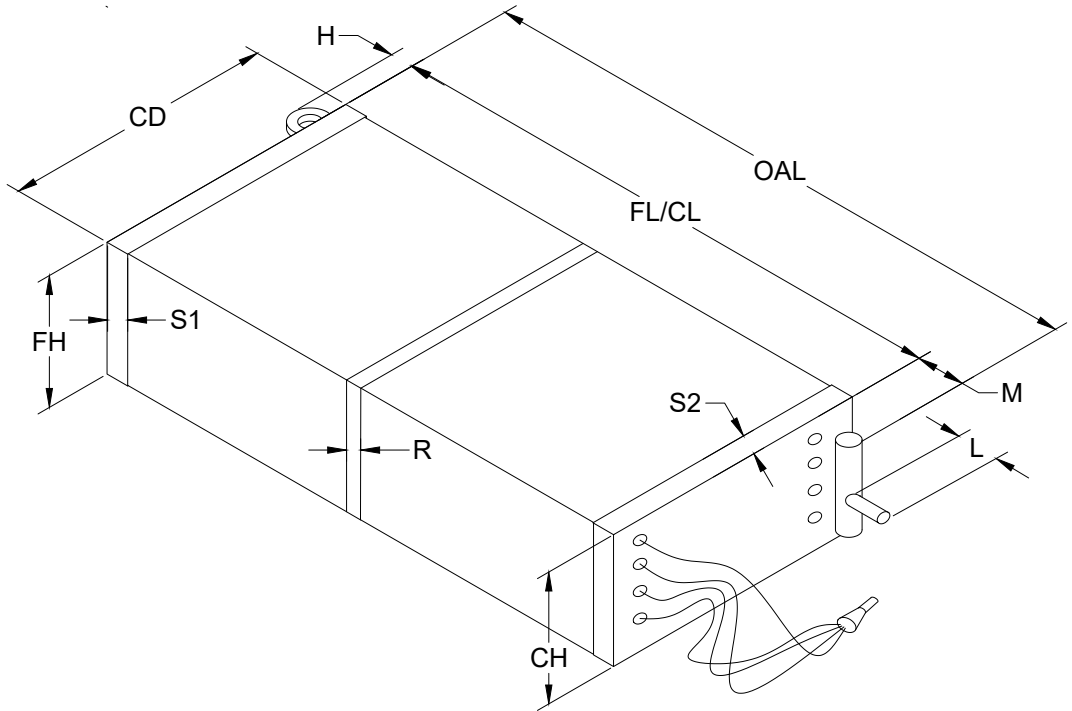


<b>DRAWING NUMBER:</b>		<b>ITEM DESCRIPTION:</b>			<b>DRAWING:</b>		TECHNICIAN:		DATE:	
		DX COIL REFRIGERATION			1 OF 1					



STANDARD FLANGES:	
INVERTED FLANGES:	
CENTER SUPPORTS:	

**DESIGN SPECIFICATIONS:** **MATERIAL SPECIFICATIONS:**

#	TAG #	QTY:	TYPE:	FH	FL	TUBE SIZE:	ROWS:	FPI:	CIRCUITS	HAND:	CONNECTIONS:	SUPPLY:	RETURN:
1											MANIFOLDS:	SUPPLY:	RETURN:
TECHNICIAN INITIALS:											TUBE WALL:		
											FINS:		
											CASING:		

**DIMENSIONAL SPECIFICATIONS:** **TXV / DIST.**

#	CONNECTION LOCATIONS:						CH	CL	CD	OAL	L	M	H	FLANGES:				DIST. 1 PART #:
	A	B	C	D	E	F								R	S1	S2	T	
1																		
INT																		

<b>COMPANY:</b>		<b>WORK ORDER #:</b>		<b>DATE:</b>			<b>DRAWING NUMBER:</b>			
<b>DWG #:</b>		<b>MODEL #:</b>		<b>OEM:</b>			APR:	DATE:	REV:	APR:
<b>DWG BY:</b>		<b>APPROVED:</b>		<b>PO #:</b>						
<b>PROJECT:</b>		<b>CONTACT:</b>		<b>REV:</b>						