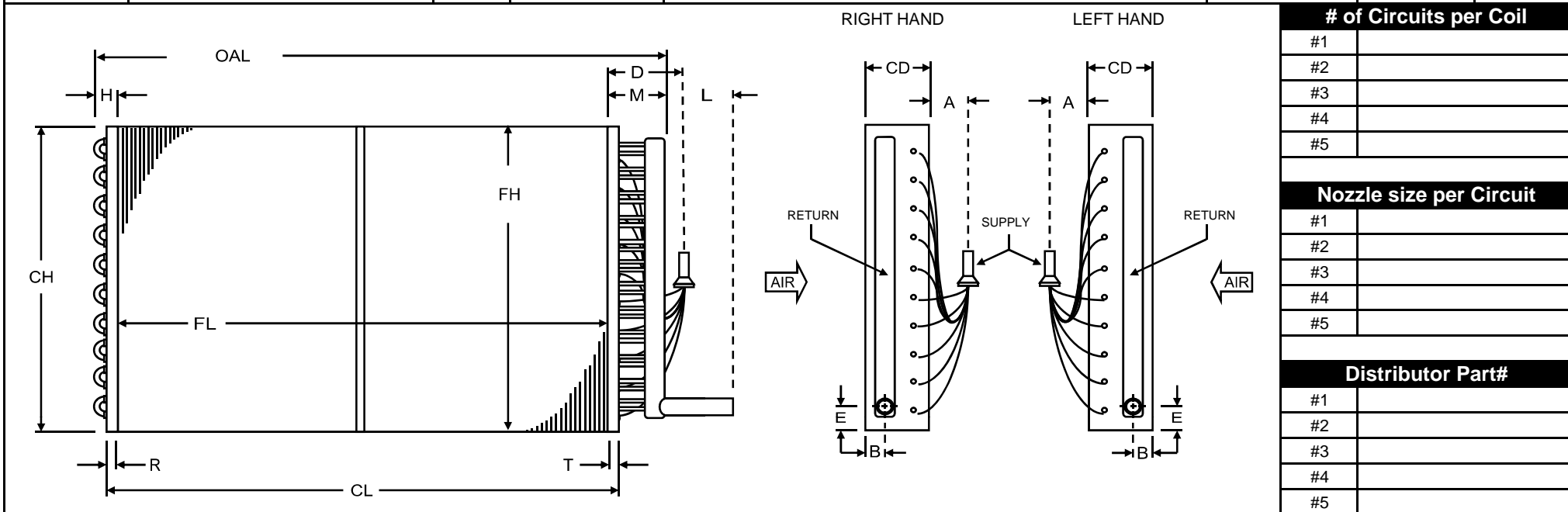


Technician:	Date:	Revision Description	Rev. Date	REV
-------------	-------	----------------------	-----------	-----



# of Circuits per Coil	
#1	
#2	
#3	
#4	
#5	

Nozzle size per Circuit	
#1	
#2	
#3	
#4	
#5	

Distributor Part#	
#1	
#2	
#3	
#4	
#5	

Design Specifications											Material	
#	Tag #	Qty	Type	FH	FL	Tube Size	Rows	FPI	Casing	Hand	Supply	Return
1											Connections	
Technician Initials:											Manifolds	
											Fins	
											Tube Wall	

Dimensional Data														TXV / Dist.					
Connection Locations							Flanges												
#	A	B	C	D	E	F	CH	CL	CD	OAL	L	M	H	R	S1	S2	T	Cap Tube Size	
1							0.00	0.00		0.00					N/A	N/A			
Tech.																			

Company:	Work Order #:	Date:	Circuits:
Dwg #:	Model #:	OEM:	Notes:
Dwg By:	Approved By:	PO #:	
Project:	Contact:	Rev:	