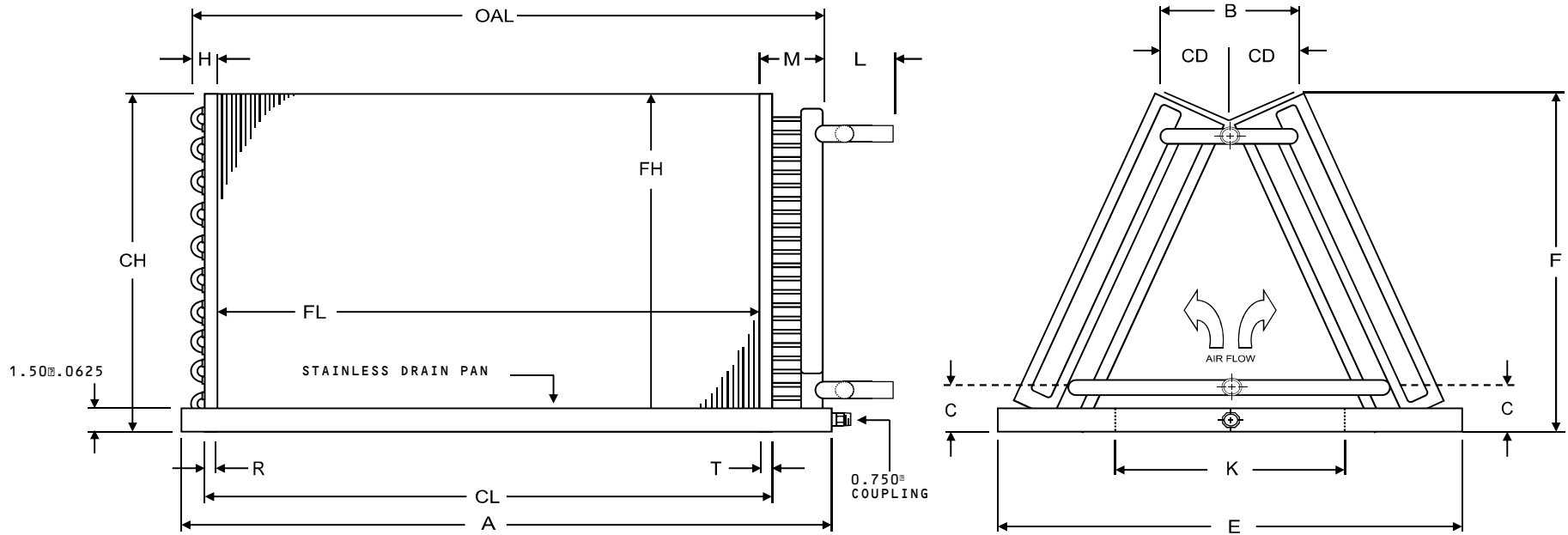


Technician:	Date:	Revision Description	Rev. Date	REV
-------------	-------	----------------------	-----------	-----



Design Specifications										Material			
Tag No.	Qty	Type	FH	FL	Tube Size	Rows	FPI	Circuits	Hand	Connections	Supply	Return	
										Manifolds	Supply	Return	
										Tube Wall			
										Fins			
										Casing			
In-Process Inspection Verified:													

Dimensional Data													Vents						
Connection Locations							Flanges							Vents					
No.	A	B	C	D	E	F	CH	CL	CD	OAL	L	M	H	R	S1	S2	T	Cap	1/8"
							0.00	0.00		0.00								Face	1/4"
Tech.																		Side	1/2"

Company:	Work Order #:	Date:	Notes:
Dwg #:	Model #:	OEM:	
Dwg By:	Approved By:	PO #:	
Project:	Contact:	Rev:	