

DRAWING NUMBER:

ITEM DESCRIPTION:

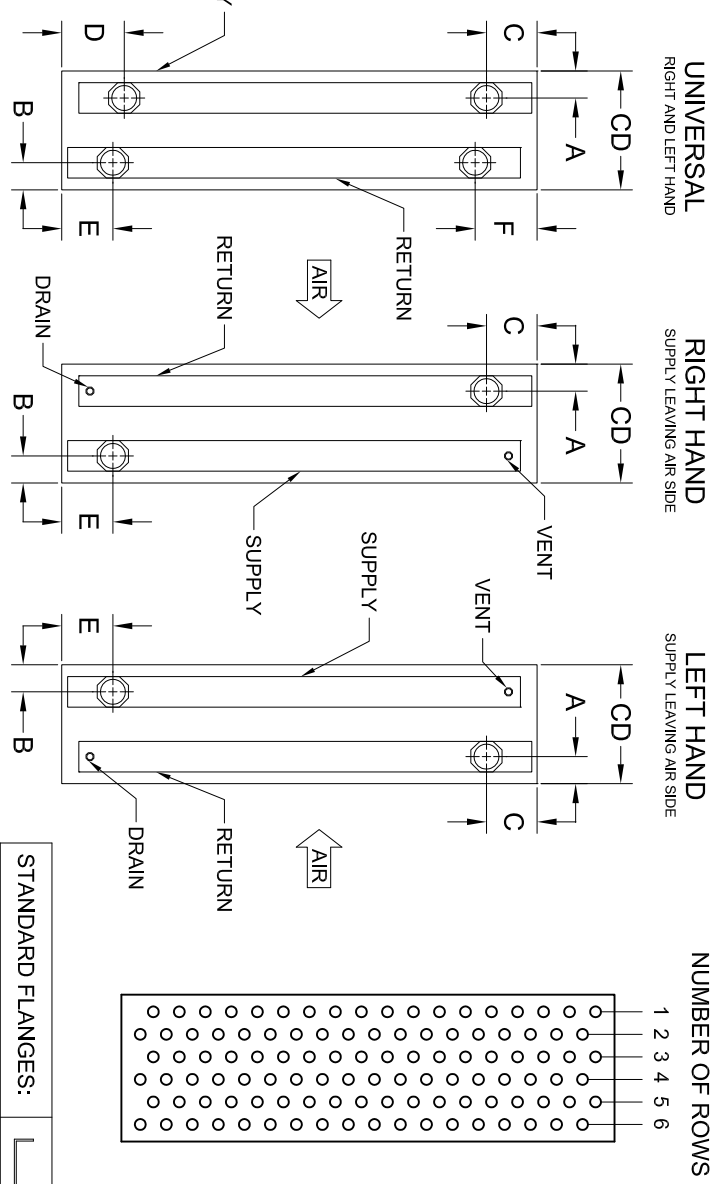
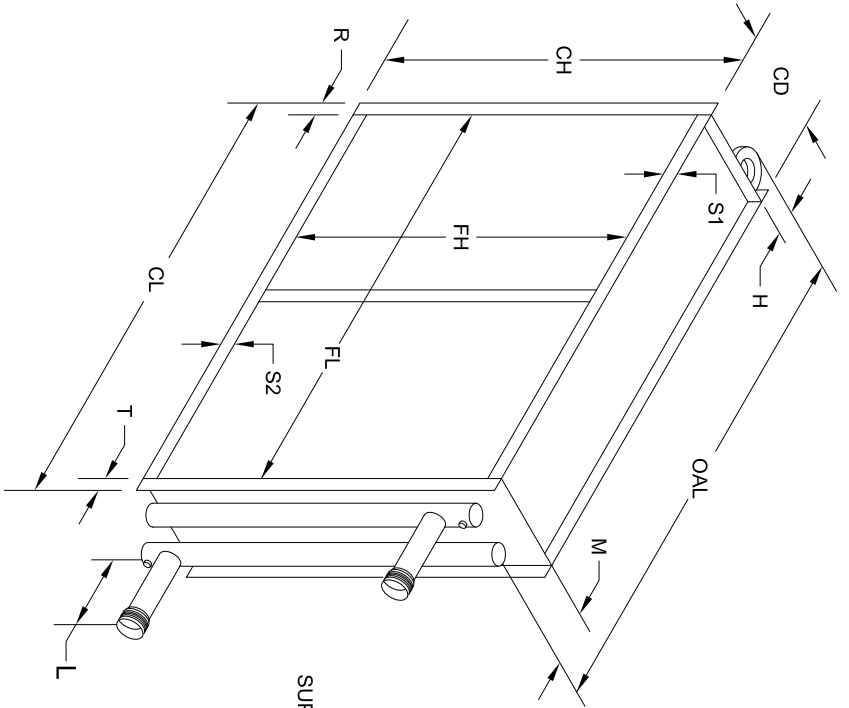
WATER COIL STANDARD

DRAWING:

1 OF 1

TECHNICIAN:

DATE:



DESIGN SPECIFICATIONS:

#	TAG #	QTY:	TYPE:	FH	FL	TUBE SIZE:	ROWS:	FPI:	CIRCUITS	HAND:	CONNECTIONS:	SUPPLY:	RETURN:
1											MANIFOLDS:	SUPPLY:	RETURN:
TECHNICIAN INITIALS:												TUBE WALL:	RETURN:
												FINS:	RETURN:
												CASSING:	RETURN:

MATERIAL SPECIFICATIONS:

STANDARD FLANGES:

STACKING FLANGES:

CENTER SUPPORTS:

DIMENSIONAL SPECIFICATIONS:

#	CONNECTION LOCATIONS:						DIMENSIONAL SPECIFICATIONS:						VENTS								
	A	B	C	D	E	F	CH	CL	CD	OAL	L	M	H	R	S1	S2	T	CAP	FACE	SIDE	
1																		ALWAYS CENTERED	VENT ON SUPPLY	0.250	0.500
INT																					LEAVING AIR SIDE

COMPANY:

WORK ORDER #:

DATE:

DWG #:

MODEL #:

APPROVED:

OEM:



DRAWING NUMBER:

DWG BY:

CONTACT:

PO #:

REV:

APR:

DATE:

REV:

APR:

This Drawing is Property of Rahn Industries, Inc. Do not duplicate or alter without prior consent of Rahn Industries, Inc. All Dimensions are in inches.

CERTIFIED DRAWING